

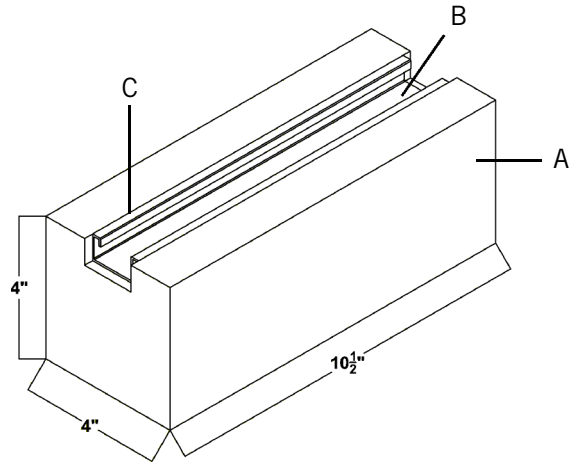


PIPE PIER® support blocks have been designed and engineered specifically for rooftop and raised floor applications. The PIPE PIER® Classic series is offered in two different heights:

- PIPE PIER® 50H6 – 6"x4"x10-1/2" with a 50 lbs max load
- PIPE PIER® 50H4 – 4"x4"x10-1/2" with a 50 lbs max load

**Components**

- A. Closed-cell, medium density, black polyethylene foam Ethafoam HS 45\*
- B. 14 Gauge Strut Channel
- C. Hot melt adhesive-bonding strut to foam block BONDMASTER INSTAWELD 34-3378



\*Trademark of Dow Chemical Co.

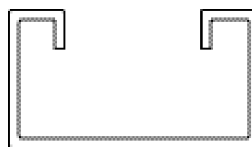
**Ethafoam HS 45\*** polyethylene foam offers excellent strength, resistance to creep under loadings up to 5.0 psi, vibration & shock absorbency and water resistance characteristics. Ethafoam HS 45 has successfully passed MVSS 302 flammability testing and meets or exceeds the requirements for U.S. Federal Standard PPP-C-1752C, Type III.

\*Trademark of Dow Chemical Co.

Physical Properties	Test Method	Direction	Value
Density	D3575, Suffix W, Method B	N/A	3.9 pcf
Compression Set	ASTM D 3575, Suffix B	Vertical	<15%
Compression Creep @ 5.0 psi (1000 hr/72 F)	ASTM D 3575, Suffix BB	Vertical	<10%
Thermal Stability	ASTM D 3575, Suffix S	N/A	<1%
Water Absorption	ASTM D 3575, Suffix L	N/A	<0.2 lb/sq ft

**14 Gauge Strut Channel**

The 14 gauge strut channel is cold roll-formed from high quality carbon steel. The channel finish is hot dipped mill galvanized. The raw steel used conforms to ASTM 570 GR 33 and ASTM A446 GR A.



**BONDMASTER INSTAWELD 34-3378** is a sprayable heat & moisture-resistant hot melt adhesive. It has a 350 degree melting point and is applied by a nozzle applicator during the manufacturing process. It conforms to MS-CC926.