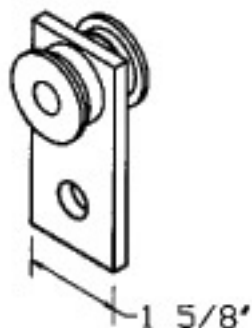


ROLLERS

ROL10 Single Trolley

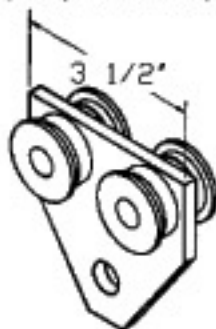
for use with A12, A14, D12 or E12 channels



Wheels - 1-3/8" diameter.

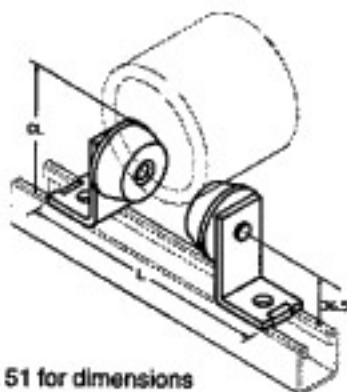
ROL11 Double Trolley

for use with A12, A14, D12 or E12 channels



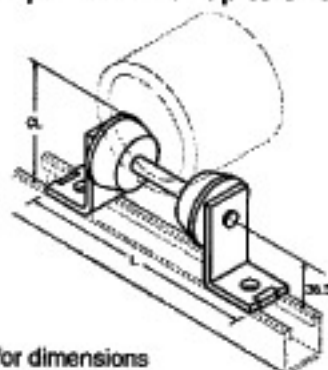
Wheels - 1-3/8" diameter.

ROL12 Pipe Roller for 1" - 4" Pipe



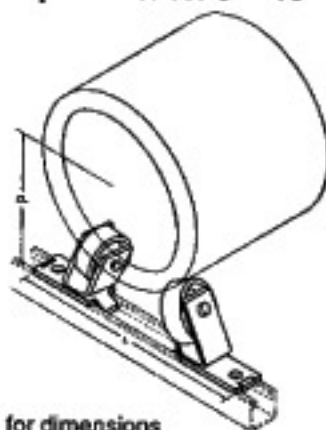
See pg. 51 for dimensions

ROL13 Pipe Roller for up to 8" Pipe



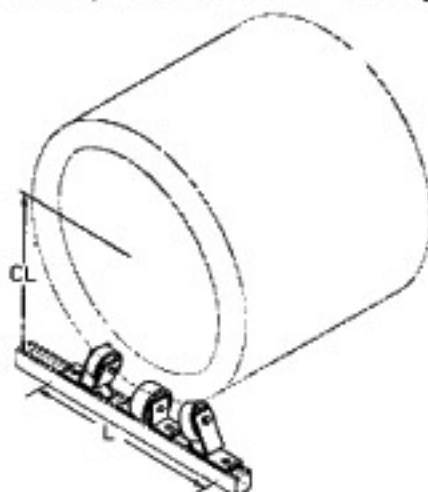
See pg. 51 for dimensions

ROL14 Pipe Roller for 6" - 16" Pipe



See pg. 51 for dimensions

ROL15 Pipe Roller for 16" - 24" Pipe



See pg. 51 for dimensions

Fitting Specifications (unless noted):

Holes Sizes - 9/16", Spacing 13/16" from edge and 1-7/8" on center.
Width - 1-5/8", Thickness 1/4", Standard Finish: EG.

ROLLERS

ROL12 & ROL13

ROLLER SIZING CHART						
Pipe Size	Saddle Number	Actual Covering Thickness	Actual O.D. (inches)	Actual Radius (inches)	ROL 12 & 13 L (inches)	ROL 12 & 13 CL (inches)
3/4"	None	0	1-1/16	17/32	6-1/2	2-15/16
	630	7/8	3-1/4	1-5/8	6-1/2	4-1/8
	631	1-7/16	4-3/8	2-3/16	8-1/4	4-7/16
	632	1-7/8	5-3/8	2-11/16	8-1/4	4-15/16
1"	None	0	1-5/16	21/32	6-1/2	3-1/8
	630	1-1/16	3-5/8	1-13/16	7-1/4	4-1/4
	631	1-9/16	4-5/8	2-5/16	8-1/4	4-9/16
	632	2-1/8	5-3/4	2-7/8	8-1/4	5-1/8
1-1/4"	None	0	1-11/16	27/32	6-1/2	3-5/16
	630	7/8	3-7/8	1-15/16	7-1/4	4-5/16
	631	1-5/8	5-1/8	2-9/16	8-1/4	4-13/16
	632	1-15/16	6	3	8-1/4	5-1/4
1-1/2"	None	0	1-7/8	15/16	6-1/2	3-3/8
	630	1	4-1/4	2-1/8	8-1/4	4-3/8
	631	1-1/2	5-1/4	2-5/8	8-1/4	4-7/8
	632	2-5/16	6-5/8	3-5/16	9-1/4	5-7/16
2"	None	0	2-3/8	1-3/16	6-1/2	3-11/16
	630	1-1/16	4-3/4	2-3/8	8-1/4	4-5/8
	631	1-9/16	5-3/4	2-7/8	8-1/4	5-1/8
	632	2-1/8	7-1/8	3-9/16	9-1/4	5-11/16
2-1/2"	None	0	2-7/8	1-7/16	6-1/2	3-15/16
	630	1-1/16	5-3/8	2-11/16	8-1/4	4-15/16
	631	1-7/8	6-5/8	3-6/16	9-1/4	5-7/16
	632	2-5/16	7-3/4	3-7/8	9-1/4	6
3"	None	0	3-1/2	1-3/4	7-1/4	4-1/8
	630	1	5-7/8	2-15/16	8-1/4	5-1/4
	631	1-9/16	7-1/4	3-5/8	9-1/4	5-3/4
	632	2-1/16	8-1/4	4-1/8	10-1/8	6-1/8
3-1/2"	None	0	4	2	7-1/4	4-3/8
	630	1-1/4	6-5/8	3-5/16	9-1/4	5-7/16
	631	1-13/16	7-3/8	3-11/16	9-1/4	5-13/16
	632	2-1/4	8-5/8	4-5/16	10-1/8	6-3/8
4"	None	0	4-1/2	2-1/4	8-1/4	4-1/2
	630	1-1/16	7-1/8	3-9/16	9-1/4	5-11/16
	631	1-9/16	8-1/8	4-1/16	10-1/8	6-1/16
	632	2-1/16	9-1/8	4-9/16	10-1/8	6-5/8
5"	None	0	5-5/8	2-13/16	8-1/4	5-1/16
	630	1	8-1/4	4-1/8	10-1/8	6-1/8
	631	1-1/5	9-3/8	4-11/16	10-1/8	6-3/4
	632	2	10-3/8	5-3/16	10-7/8	7-1/8
6"	None	0	6-5/8	3-5/16	9-1/4	5-7/16
	630	1	9	4-1/2	10-1/8	6-9/16
	631	1-1/2	10-1/8	5-1/16	10-7/8	7
	632	2	11	5-1/2	10-7/8	7-1/2
8"	None	0	8-5/8	4-5/16	10-1/8	6-3/8
	631	1-1/2	12	6	10-7/8	8
	632	2	13	6-1/2	10-7/8	8-9/16
	633	2-11/16	14-1/2	7-1/4	10-7/8	9-5/16
8"	None	0	8-5/8	4-5/16	10-1/8	6-3/8
	631	1-1/2	12	6	10-7/8	8
	632	2	13	6-1/2	10-7/8	8-9/16
	633	2-11/16	14-1/2	7-1/4	10-7/8	9-5/16
8"	None	0	8-5/8	4-5/16	10-1/8	6-3/8
	631	1-1/2	12	6	10-7/8	8
	632	2	13	6-1/2	10-7/8	8-9/16
	633	2-11/16	14-1/2	7-1/4	10-7/8	9-5/16
8"	None	0	8-5/8	4-5/16	10-1/8	6-3/8
	631	1-1/2	12	6	10-7/8	8
	632	2	13	6-1/2	10-7/8	8-9/16
	633	2-11/16	14-1/2	7-1/4	10-7/8	9-5/16
8"	None	0	8-5/8	4-5/16	10-1/8	6-3/8
	631	1-1/2	12	6	10-7/8	8
	632	2	13	6-1/2	10-7/8	8-9/16
	633	2-11/16	14-1/2	7-1/4	10-7/8	9-5/16
8"	None	0	8-5/8	4-5/16	10-1/8	6-3/8
	631	1-1/2	12	6	10-7/8	8
	632	2	13	6-1/2	10-7/8	8-9/16
	633	2-11/16	14-1/2	7-1/4	10-7/8	9-5/16
8"	None	0	8-5/8	4-5/16	10-1/8	6-3/8
	631	1-1/2	12	6	10-7/8	8
	632	2	13	6-1/2	10-7/8	8-9/16
	633	2-11/16	14-1/2	7-1/4	10-7/8	9-5/16
8"	None	0	8-5/8	4-5/16	10-1/8	6-3/8
	631	1-1/2	12	6	10-7/8	8
	632	2	13	6-1/2	10-7/8	8-9/16
	633	2-11/16	14-1/2	7-1/4	10-7/8	9-5/16
8"	None	0	8-5/8	4-5/16	10-1/8	6-3/8
	631	1-1/2	12	6	10-7/8	8
	632	2	13	6-1/2	10-7/8	8-9/16
	633	2-11/16	14-1/2	7-1/4	10-7/8	9-5/16
8"	None	0	8-5/8	4-5/16	10-1/8	6-3/8
	631	1-1/2	12	6	10-7/8	8
	632	2	13	6-1/2	10-7/8	8-9/16
	633	2-11/16	14-1/2	7-1/4	10-7/8	9-5/16

ROLLERS

ROL14

ROLLER SIZING CHART						
Pipe Size	Saddle Number	Actual Covering Thickness	Actual O.D. (inches)	Actual Radius (inches)	ROL 14 L (inches)	ROL 14 CL (inches)
6"	None	0	6-5/8	3-5/16	9-5/16	7
	630	1	9	4-1/8		
	631	1-1/2	10-1/8	5-1/16		
	632	2	11	5-1/2		
	633	2-1/2	12-3/8	6-3/16		
	634	3	13-1/8	6-9/16		
8"	None	0	8-5/8	4-5/16	10	7-15/16
	631	1-1/2	12	6		
	632	2	13	6-1/2		
	633	2-11/16	14-1/2	7-1/4		
	634	3-1/8	15-3/8	7-11/16		
	635	4-3/16	17-3/8	8-11/16		
10"	None	0	10-3/4	5-3/8	10-11/16	8-15/16
	631	1-9/16	14-1/2	7-1/4		
	632	2-1/16	15-1/4	7-5/8		
	633	2-9/16	16-1/4	8-1/8		
	634	3-1/16	17-3/8	8-11/16		
	635	4-1/16	19-1/2	9-3/4		
12"	None	0	12-3/4	6-3/8	11-3/8	9-7/8
	631	1-9/16	16-1/8	8-1/16		
	632	2-1/16	17-1/4	8-5/8		
	633	2-5/8	18-1/4	9-1/8		
	634	3-1/16	19-1/4	9-5/8		
	635	4-1/8	20-3/8	10-3/16		
14"	None	0	14	7	12-1/16	10-7/16
	631	1-1/2	17-1/2	8-3/4		
	632	2	18-5/8	9-5/16		
	633	2-1/2	19-3/4	9-7/8		
	634	3	20-5/8	10-5/16		
	635	4	22-5/8	11-5/16		
16"	None	0	16	8	12-3/4	11-3/8
	631	1-1/2	19-5/8	9-13/16		
	632	2	20-3/8	10-3/16		
	633	2-1/2	21-5/8	10-13/16		
	634	3	22-1/8	11-1/16		
	635	4	24-3/8	12-3/16		

ROL15

ROLLER SIZING CHART						
Pipe Size	Saddle Number	Actual Covering Thickness	Actual O.D. (inches)	Actual Radius (inches)	ROL 15 L (inches)	ROL 15 CL (inches)
18"	None	0	18	9	12-3/4	12-1/4
	631	1-1/2	21-5/8	10-13/16		
	632	2	22-5/8	11-5/16		
	633	2-1/2	23-1/4	11-5/8		
	634	3	24-1/2	12-1/4		
	635	4	26-5/8	13-5/16		
20"	None	0	20	10	14-1/8	13-1/4
	631	1-1/2	23-1/4	11-5/8		
	632	2	24-1/2	12-1/4		
	633	2-1/2	25-1/2	12-3/4		
	634	3	26-5/8	13-5/16		
	635	4	28-1/4	14-1/8		
24"	None	0	24	12	14-13/16	15-1/4
	631	1-1/2	27	13-1/2		
	632	2	28	14		
	633	2-1/2	29-1/4	14-5/8		
	634	3	30-1/2	15-1/4		
	635	4	32-7/8	16-7/16		
30"	special order	0	30	15	15-7/8	15-1/4